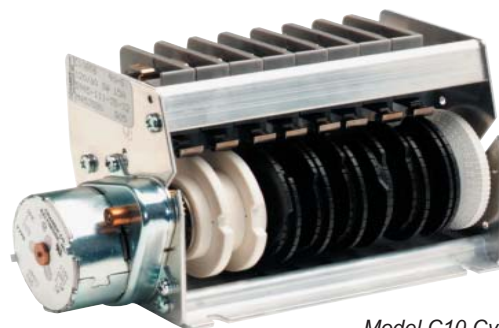


## Series C10 & C11 Motorized Cycle Timers

- Superior cycle repeat accuracy
- Permanent magnet motor drive for fast starts & stops
- Up to 10 Cams cycling options
- $\pm 3^\circ$  Cam setting accuracy
- Switch terminals quick disconnect
- 3 watts power consumption
- UL & cUL Approved



Model C11 Cycle Timers



Model C10 Cycle Timer

Cramer Motorized Cycle Timers can be found in these applications and more:



HVAC  
Systems



Warewashing Equipment



Sterilizing Equipment

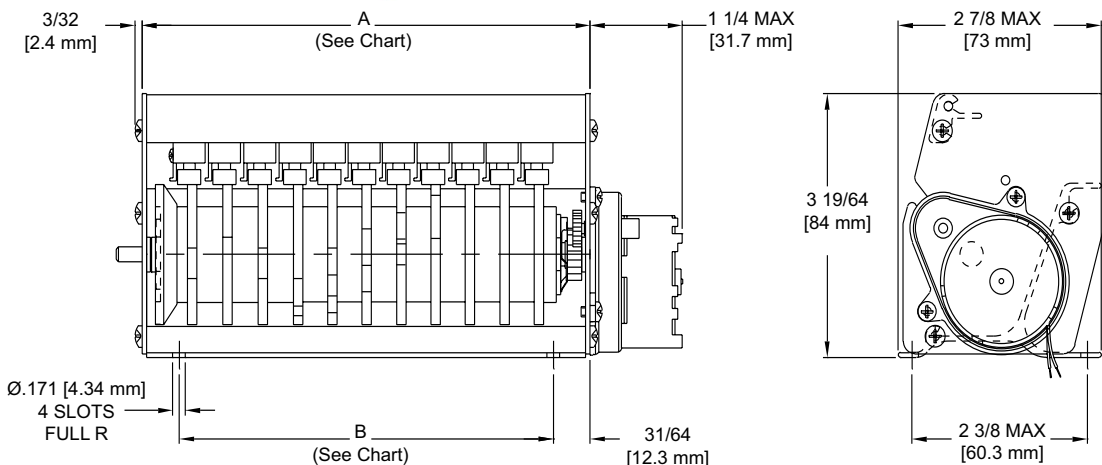
# C10 & C11 Motorized Cycle Timers



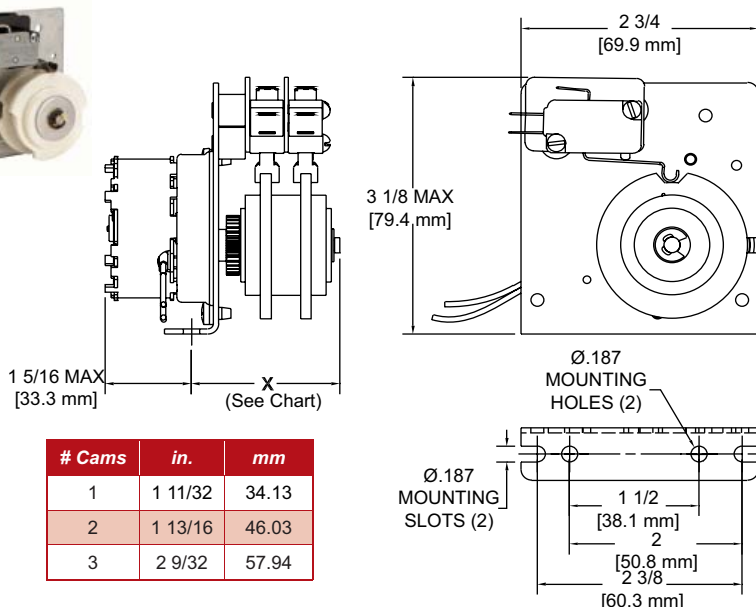
## Dimensions



Model C10  
3 to 10 Cams

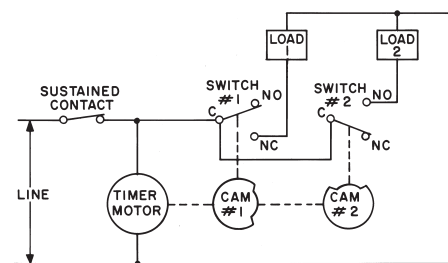


Model C11  
1 to 3 Cams



# Cams	in.	mm
1	1 11/32	34.13
2	1 13/16	46.03
3	2 9/32	57.94

# Cams	A		B	
	in.	mm	in.	mm
3	2 5/16	58.7	1 21/64	33.7
4	2 25/32	70.6	1 51/64	45.6
5	3 1/4	82.5	2 17/64	57.5
6	3 23/32	94.5	2 47/64	69.5
8	4 21/32	118.3	3 43/64	93.3
10	5 19/32	142.1	4 39/64	117.1



## Specifications

Model	C10	C11
Motor Voltage		115v to 240v
Repeat Accuracy	0.5% of cycle on continuous cycling	
Cam Setting Accuracy	3° at any one operating point 6° between any two operating points	
Framework	Extruded Aluminum Frame	Rigid Aluminum Plate
Switch Rating	Resistive AC: 10 amp. @ 120v, 240v; 1/3 HP @ 120v, 240v Resistive DC: 1/2 amp. @ 120v, 240v; 1/4 amp. @ 240v	
Switch Terminals	STD 3/16" Male Quick Disconnect	
Power Consumption	~3 watts	
Agency Approval	UL, cUL	

## Options

- 15 Amp, 1/2 HP switch available
- Up to 10 cams cycling options
- Time: seconds, minutes and hours

[www.mhrhodes-cramer.com](http://www.mhrhodes-cramer.com)



M.H. Rhodes/Cramer Company  
105 Nutmeg Road South • South Windsor, CT 06074 USA  
Toll Free: 877.684.6464 • PH: 860.291.8402 • FX: 860.620.0897