

100 Series AC Permanent Magnet Motors

- ☞ Larger external rear output bearing
- ☞ Designed with stall torque performance
- ☞ Quiet operation and back drive capability
- ☞ Rotation direction: CW and CCW
- ☞ Lifetime lubrication
- ☞ UL Approved, Class F Rating



Cramer 100 Series AC Permanent Magnet Motors can be found in these applications and more:



100 Series AC Permanent Magnet Motors

Applications

ATM's



HVAC Dampers & Actuators



POP Displays



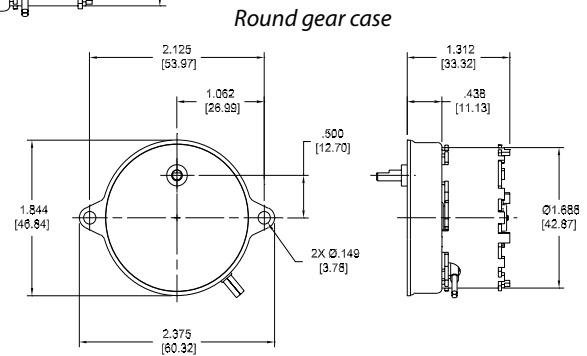
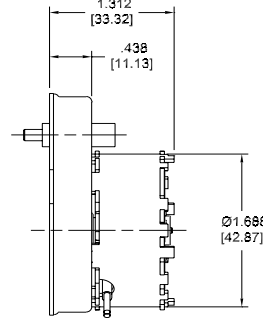
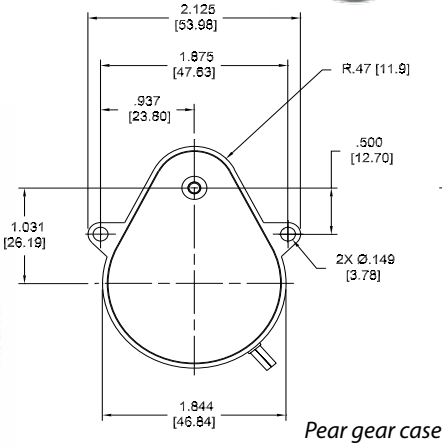
Dimensions

Model 113

Model 107

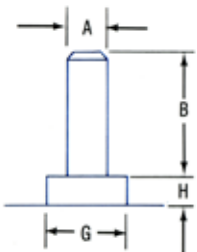


Model 105

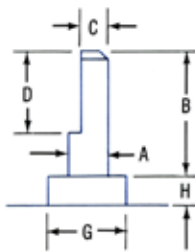


Shaft Information

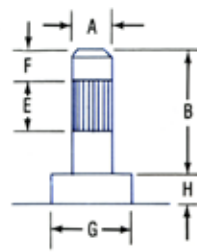
Dwg. No. 1
ROUND SHAFT



Dwg. No. 2
FLATTED ROUND SHAFT



Dwg. No. 3
KNURLED ROUND SHAFT



To better assist you in selecting a motor that meets your specifications, please provide the following information:

Shaft type (round, flat or knurled)

Shaft diameter (A)

Shaft length (B)

Shaft width at flat (C)

Shaft length at flat (D)

Knurl length (E)

Knurl set back (F)

Bearing OD (G)

Bearing height (H)

For additional shaft and motor specification information, please visit www.mhrhodes-cramer.com "Shaft Information" page.

Specifications

Model	105	107	113
Starting Torque @ 1 RPM	300 oz. in.	30 oz. in.	60 oz. in.
Running Torque @ 1 RPM	300 oz. in.	60 oz. in.	60 oz. in.
Power Input (Nominal)	2.7 Watts	1.5 Watts	2.7 Watts
Voltage	24, 120 and 240 VAC		
Frequency	50 and 60 Hz VAC		
Operating Temperature Range	-4°F to 131°F (-20°C to 55°C)		
Gear Train Rating	Standard and Heavy Duty		
Static	90-160 oz. in.		
Dynamic	30-150 oz. in.		
Direction of Rotation	CW & CCW		
Standard Mounting	Two (2) hole		
Agency Approval	UL		

Options

- Extended shafts for manual rotation of motor or actuator
- Double-ended shafts for actuation of two devices

www.mhrhodes.com



M.H. Rhodes/Cramer Company

105 Nutmeg Road South • South Windsor, CT 06074 USA

Toll Free: 877.684.6464 • PH: 860.291.8402 • FX: 860.610.0897